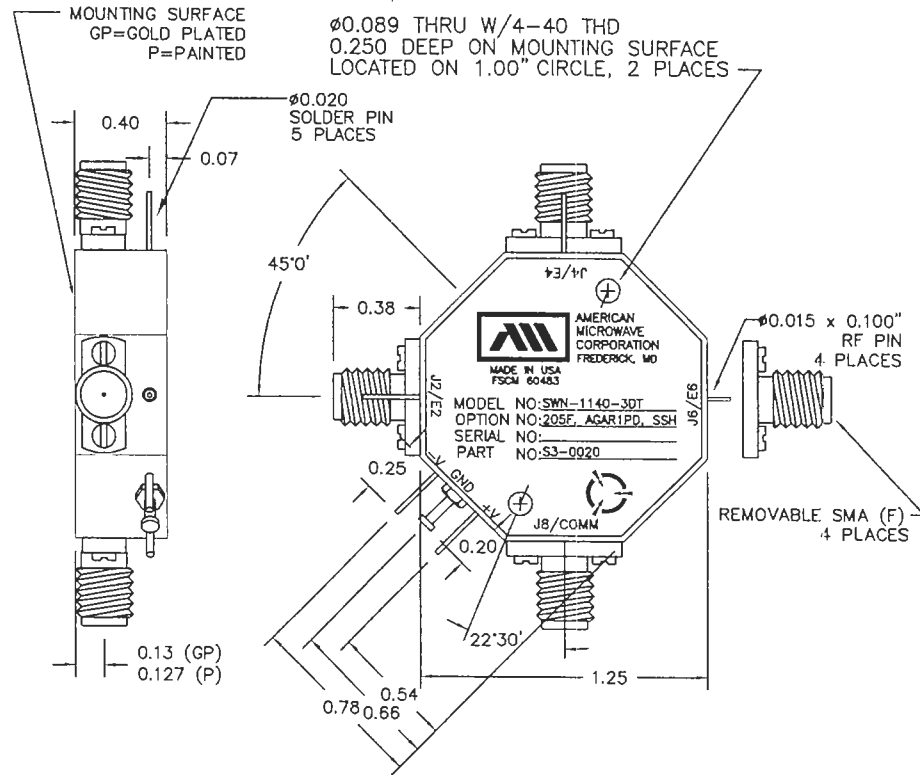


## DESCRIPTION

AMC MODEL SWN-1140-3DT OPTIONS: 205F, AGAR1PD, SSH IS A SINGLE POLE THREE THROW SWITCH DESIGNED TO OPERATE AT 2.45 GHz FREQUENCY WITH AN INSERTION LOSS OF 4.0 dB MAXIMUM, AN ISOLATION OF 95 dB MINIMUM AND A VSWR OF 1.35:1.

## SPECIFICATIONS:

- FREQUENCY: 2.45 GHz
- INSERTION LOSS: 4.0 dB MAXIMUM
- ISOLATION: 95 dB MINIMUM
- VSWR: IN/OUT: 1.35:1  
OUT/OFF: 1.35:1
- SPEED: DELAY ON: 5  $\mu$ Sec MAXIMUM  
DELAY OFF: 5  $\mu$ Sec MAXIMUM
- POWER INPUT: (CW)+20dBm (STANDARD), +10 dBm (HIGH SPEED)
- SURVIVAL POWER: 1 WATT CW, 10 WATTS PEAK 1 usec
- CONTROL: TTL LOGIC "0" = ON  
TTL LOGIC "1" = OFF
- POWER SUPPLY: +5V @ 50 mA MAXIMUM  
-5V @ 50 mA MAXIMUM
- SIZE: 1.25" (L) x 1.25" (W) x 0.40" (H)
- WEIGHT: 2.0 oz.



## ENVIRONMENTAL RATINGS

- TEMPERATURE: -55°C TO +85°C (OPERATING)  
-65°C TO +125°C (STORAGE)
- HUMIDITY: MIL-STD-202F, METHOD 103B COND. B
- SHOCK: MIL-STD-202F, METHOD 213B COND. B
- VIBRATION: MIL-STD-202F, METHOD 204D COND. B
- ALTITUDE: MIL-STD-202F, METHOD 105C COND. B
- TEMPERATURE CYCLE: MIL-STD-202F, METHOD 107D COND. A

NOTE: SPECIFICATIONS WILL VARY OVER OPERATING TEMPERATURE  
NOTE: THE ABOVE SPECIFICATIONS ARE SUBJECT TO CHANGE OR REVISION

ALL DIMENSIONS ARE IN INCHES  
TOLERANCES:  
X.XX  $\pm 0.020$   
X.XXX  $\pm 0.010$

REVISIONS				
ZONE	REV.	DESCRIPTION	DATE	APPROVED
	-	ORIGINAL RELEASE JOB# 407166	8/11/04	

## AMERICAN MICROWAVE CORPORATION

7311-G GROVE ROAD  
FREDERICK, MARYLAND 21704 USA  
TEL: 301-662-4700 FAX: 301-662-4938  
WEBSITE: [www.americanmicrowavecorp.com](http://www.americanmicrowavecorp.com)  
E-MAIL: [sales@americanmicrowavecorp.com](mailto:sales@americanmicrowavecorp.com)  
ISO 9001:2000 CERTIFIED



APPROVALS		DATE	TITLE			REV.
DRAWN	<i>JDJ</i>	8/11/04	PRODUCT FEATURE SWN-1140-3DT OPTION: 205F, AGAR1PD, SSH 2.45 GHz SINGLE POLE THREE THROW SWITCH			-
CHECKED	<i>PL</i>	8/19/04	SIZE	FSCM NO.	DWG NO.	
ISSUED			A	60483	100-7067	
			SCALE	N:S	SHEET	1 OF 3